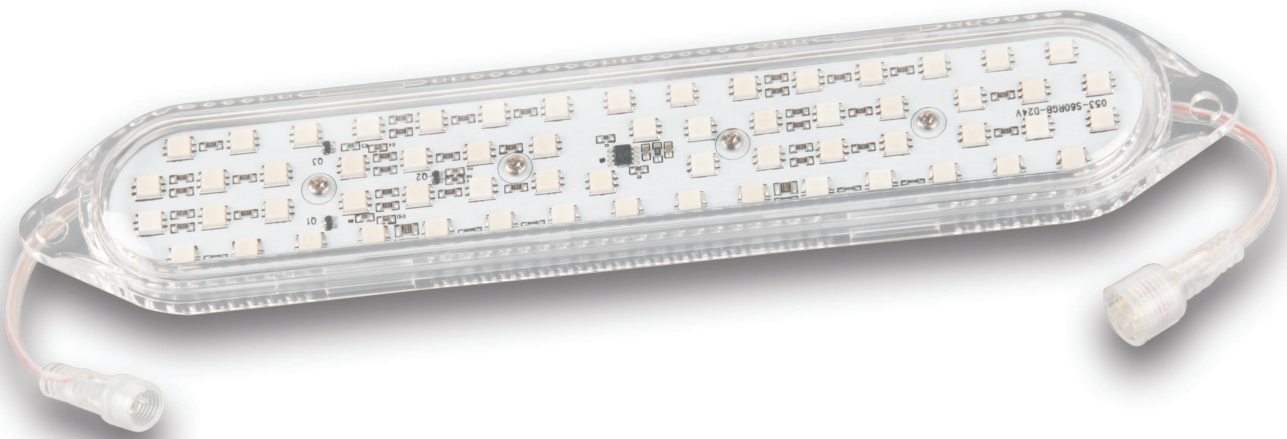


Product Specification

Description	LED Amusement Lamp
Model NO	YJLED-053-S60RGB

Product Picture



IP65 CE 

Product Application

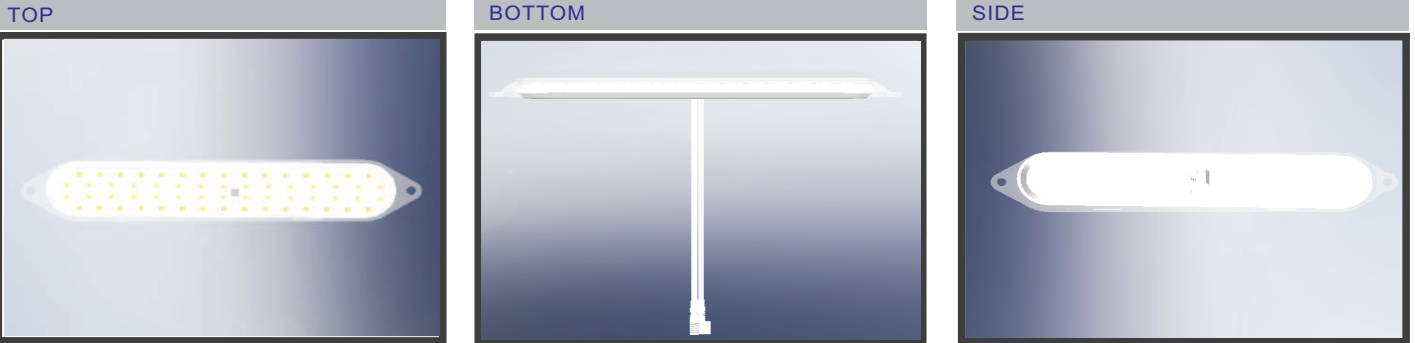


Amusement LED Lamps are widely used in the park, Theme park, amusement park and all kinds of amusement machines

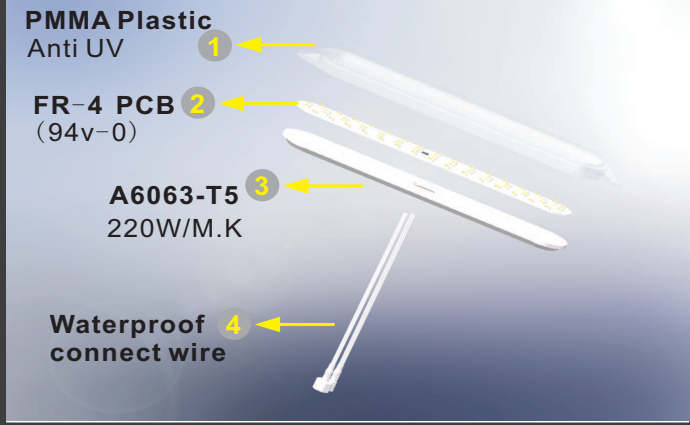


SHENZHEN AGLARE LIGHTING CO. , LTD
Web : www.aglare.cn/ www.amusementlamp.com
Email : aglare@aglare.cn
Tel : +86-75588868631

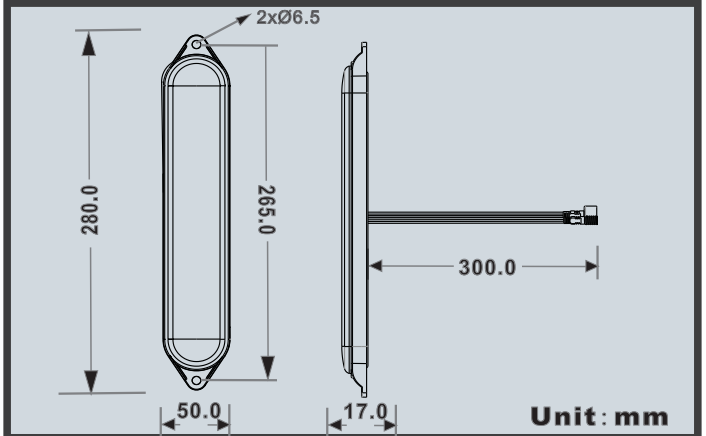
Product Structure



Product Material



Product size

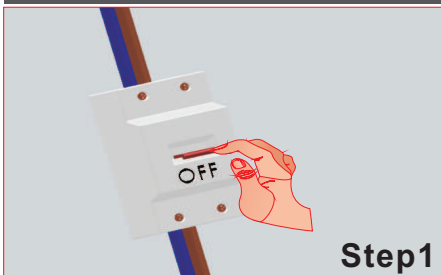


Product Parameters

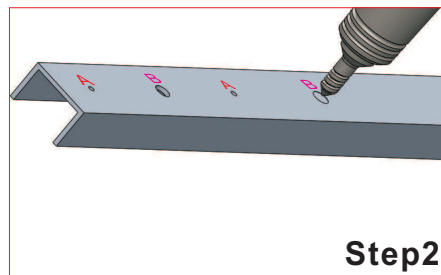
Part No.	Voltage	Color	Watts	LEDs	IP	Beam angle	Weight
YJLED-053-S60RGB	DC24V		max16W	60pcs	Ip65	120°	320g

R: 625-630nm G: 520-525nm B: 465-470nm Y: 585-595nm O: 600-605nm P: 390-410nm

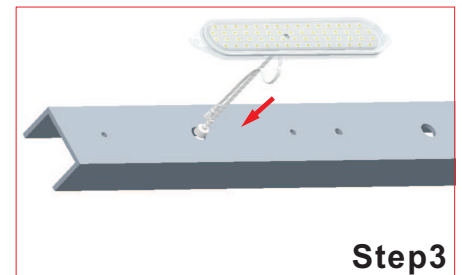
Product Installation



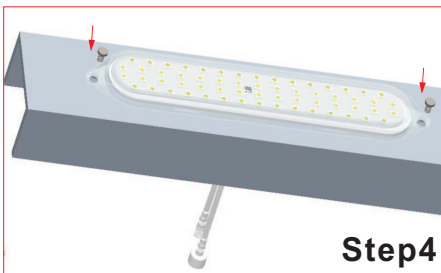
Turn off the power



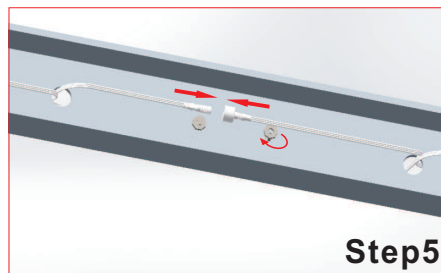
Drill hole(A=5.5~6mm;B=18~25mm)
A-A=265mm;380mm<B-B<480mm



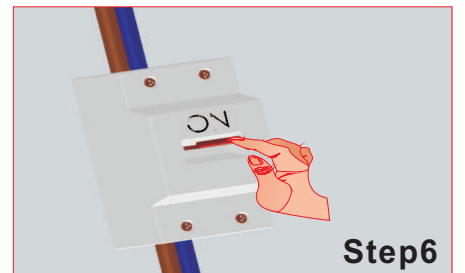
Through the connecting wire into the B hole



Please use the M5 rod and nut



Connection waterproof joint



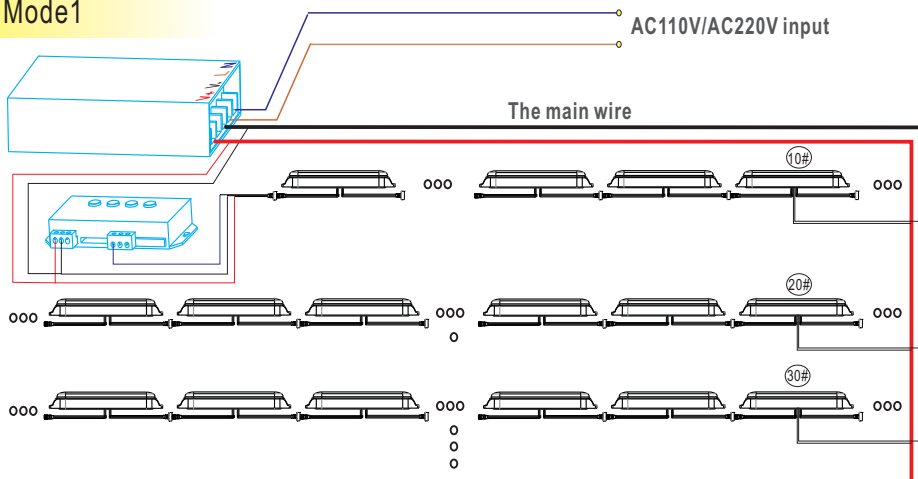
Turn on the power



SHENZHEN AGLARE LIGHTING CO., LTD
 Web: www.aglare.cn / www.amusementlamp.com
 Email: aglare@aglare.cn
 Tel: +86-75588868631

Product Wiring Diagram

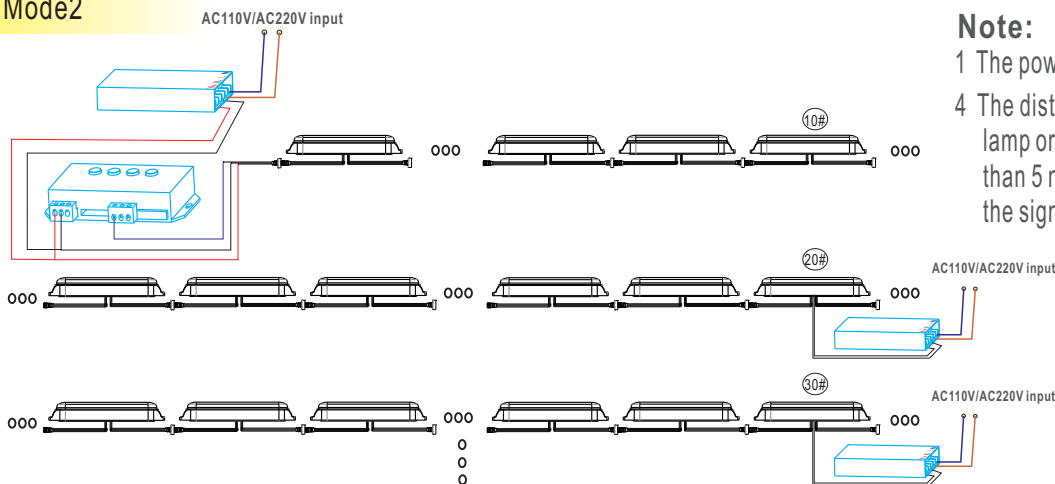
Mode1



Note:

- 1 The power supply output is DC24v, >n*16W
- 2 We offer one power wire for bulbs for per 10 pixel lamps
- 3 The main wire per square mm up to 10A current
- 4 The distance between the controller and the lamp or the lamp and the lamp must be less than 5 meters, Otherwise you need to connect the signal amplifier

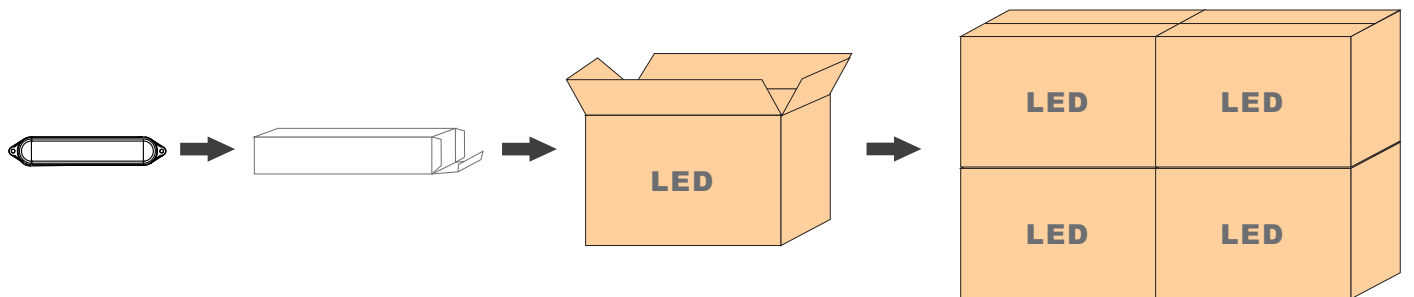
Mode2



Note:

- 1 The power supply output is DC24v, >160W
- 4 The distance between the controller and the lamp or the lamp and the lamp must be less than 5 meters, Otherwise you need to connect the signal amplifier

Product Package



WEIGHT/PCS	N. W	G. W	PCS/CARTON	CARTON SIZE
320g	16.0KG	17.5KG	50	60*30*35cm

Instructions :

K=K Material Carton
W3C Material Carton

Caution

Please read the specification before used:

Working temperature range -25°C - 45°C

Working voltage range less than $\pm 10\%$

Please turn off the power before installation



SHENZHEN AGLARE LIGHTING CO., LTD

Web: www.aglare.cn/ www.amusementlamp.com

Email: aglare@aglare.cn

Tel: +86-75588868631