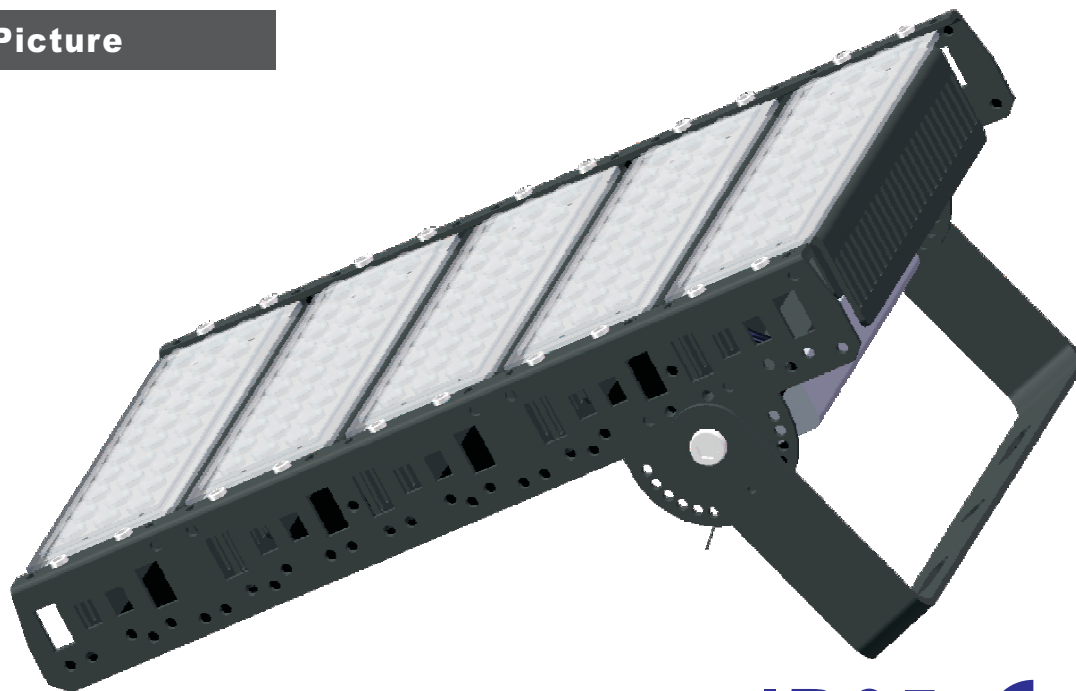


Product Specification

Description	LED Flood Light
Model NO	AT244F-M250RGB

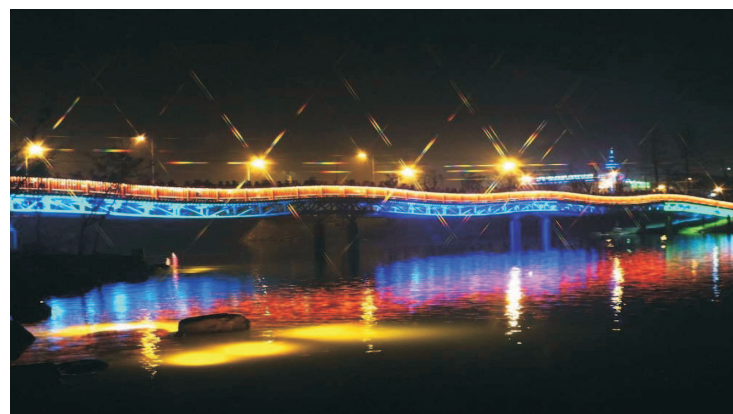
Product Picture



IP65 CE



Product Application



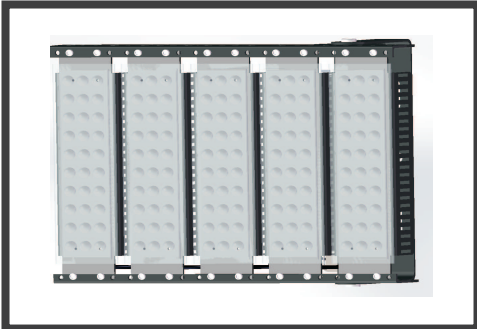
LED RGB floodlight is widely used in various parks, amusement parks, squares, bridges, rivers and so on



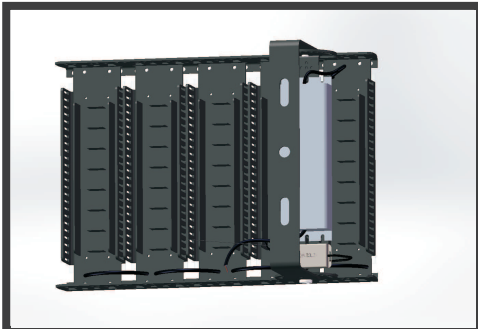
SHENZHEN AGLARE LIGHTING CO., LTD
Web: www.aglare.cn/www.amusementlamp.com
Email: aglare@aglare.cn
Tel: +86-75588868631

Product Structure

TOP



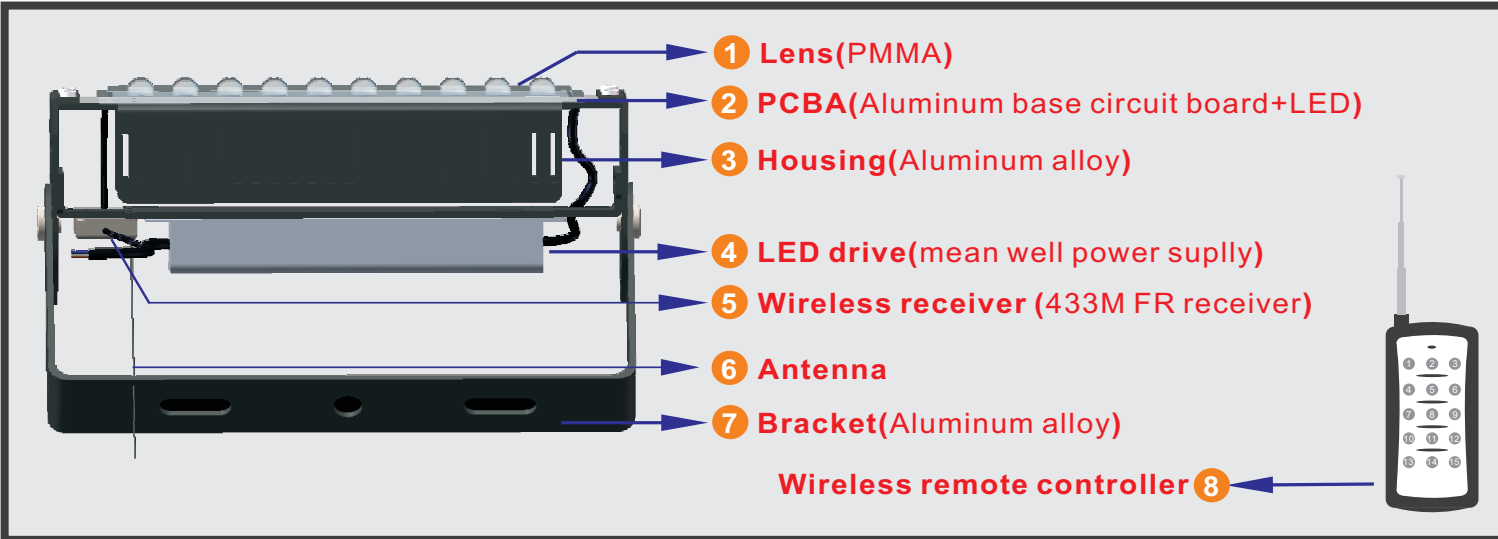
BOTTOM



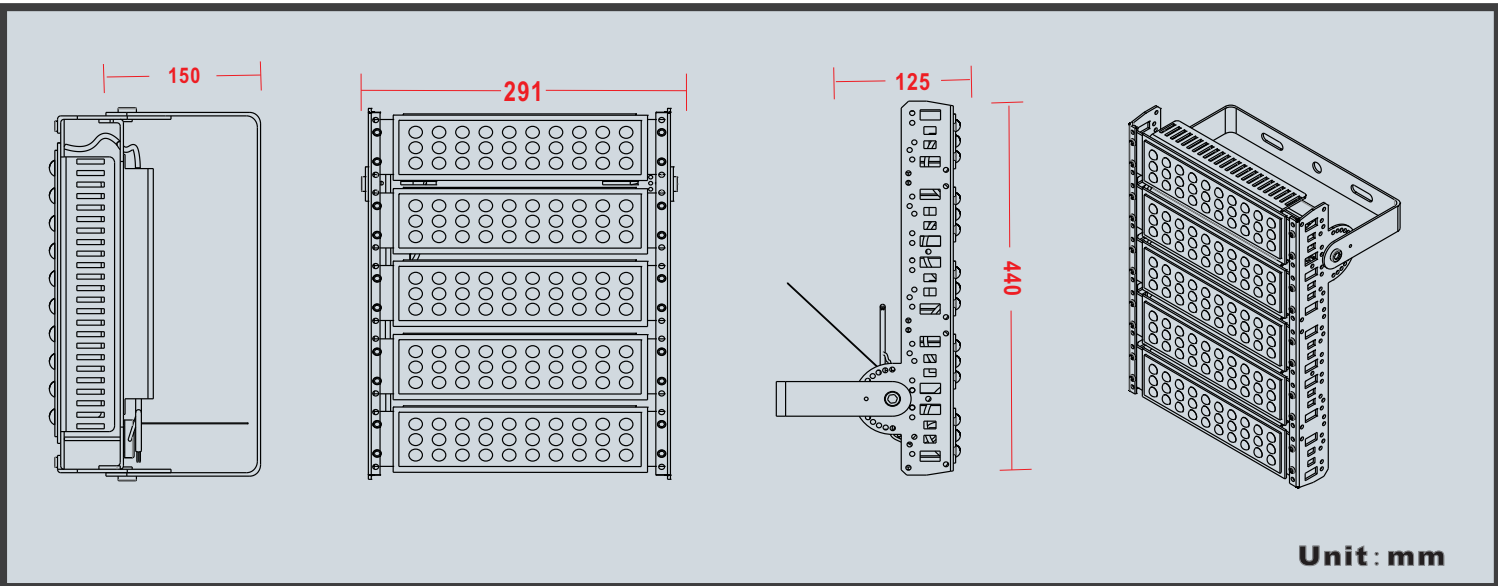
SIDE



Product Material



Product size



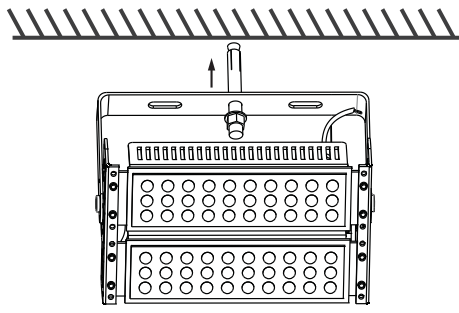
Product Parameters

Part No.	Voltage	Lumen Flux	Watts	Total Watts	LEDs	IP	Beam angle	Weight
AT244F-M250RGB	AC100-277V	2400lm	82.5W	max250W	150pcs 3W RGB	Ip65	60° / 90°	
		3350lm	82.5W					
		1100lm	82.5W					
		5750lm	165W					
		4450lm	165W					
		3500lm	165W					
	6850lm	250W						

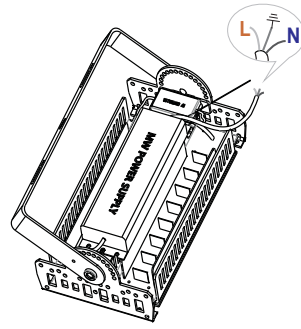


SHENZHEN AGLARE LIGHTING CO., LTD
 Web: www.aglare.cn / www.amusementlamp.com
 Email: aglare@aglare.cn
 Tel: +86-75588868631

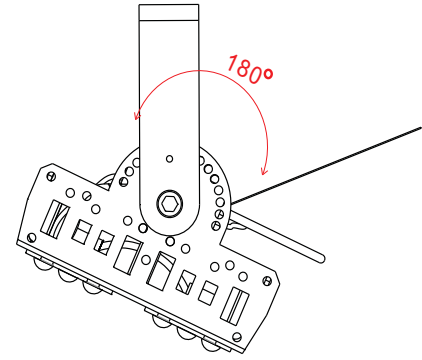
Product Installation



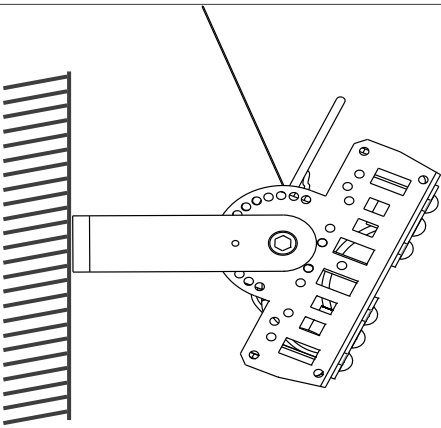
1 Fix the screw



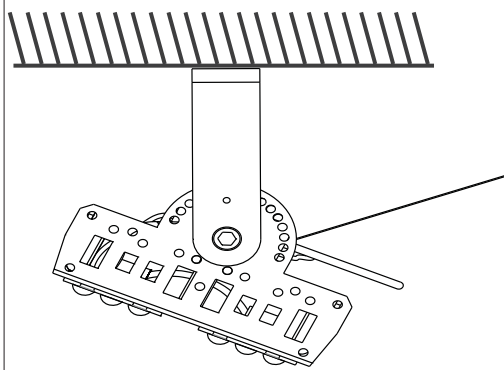
2 Connect the wire



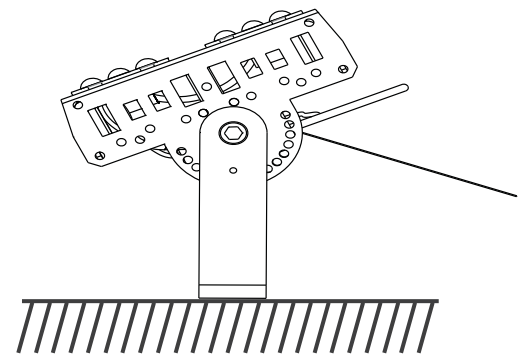
3 Rotate the angle



1 Wall type

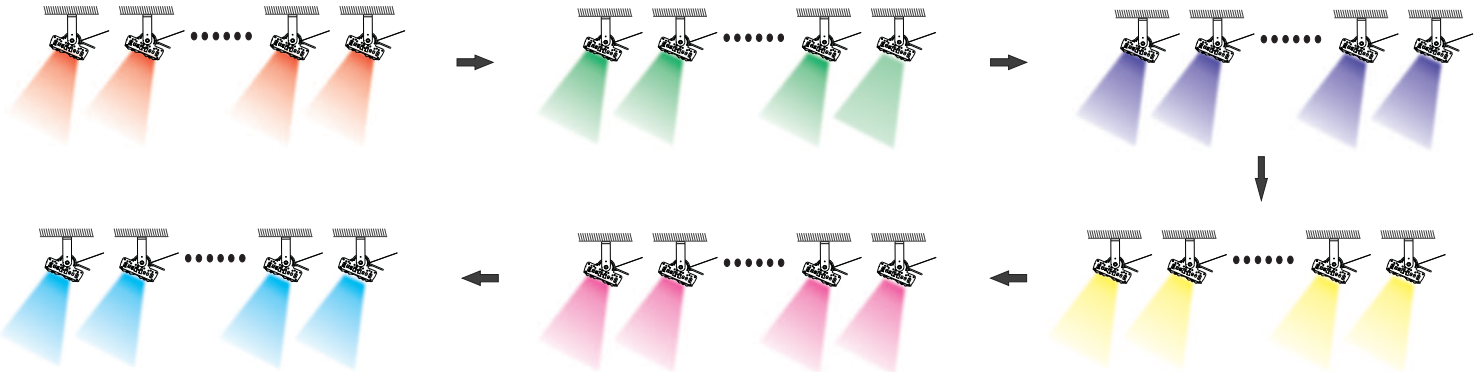


2 Pedestal type



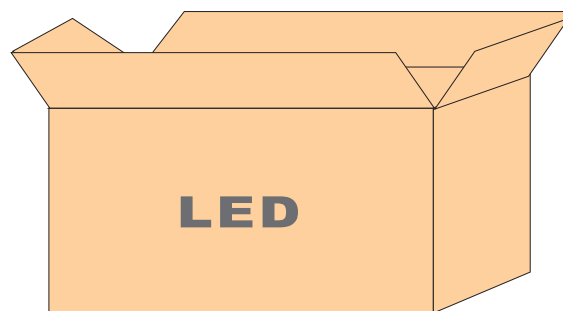
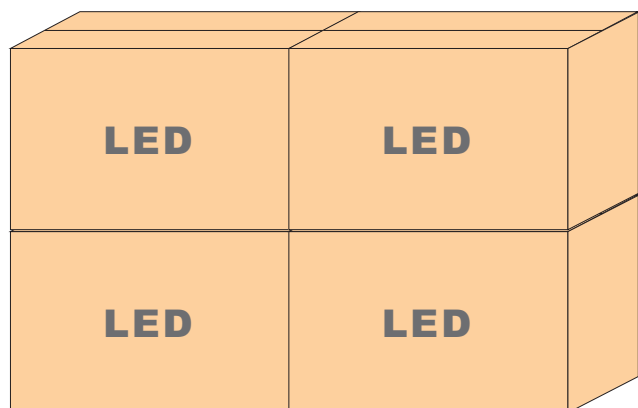
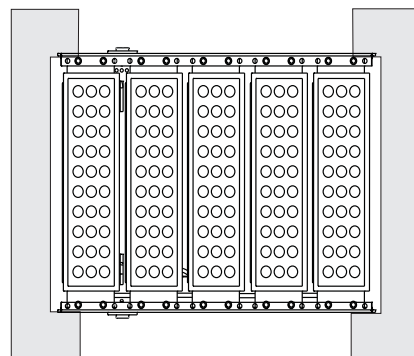
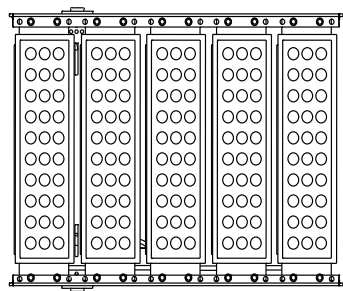
3 Suction ceiling type

Instructions



The RGB flood light is a full color LED lamp that can select the luminous color and change mode through the wireless remote control, and all the lights can keep the same change in the signal receiving range

Remote control distance is more than 200m



WEIGHT/PCS	N. W	G. W	PCS/CARTON	CARTON SIZE
5.8KG	5.8KG	6.8KG	1	525*335*160mm

Instructions:

K=K Material Carton
Foam Material box

Please read the specification before used:

Any wire damage should be replaced by qualified professional person to avoid dangerous occurs.

Please cut down the input power supply once the lamp works abnormal

Please take measures of lightning protection, and ensure the Input voltage which is stable

Pls put the lamp under the dry, ventilated and clean circumstance, and clean and maintain regular

Don't disassemble by yourself, avoid the electric shock as there is high voltage inside the lamp